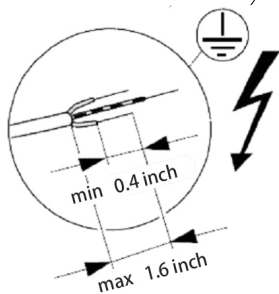
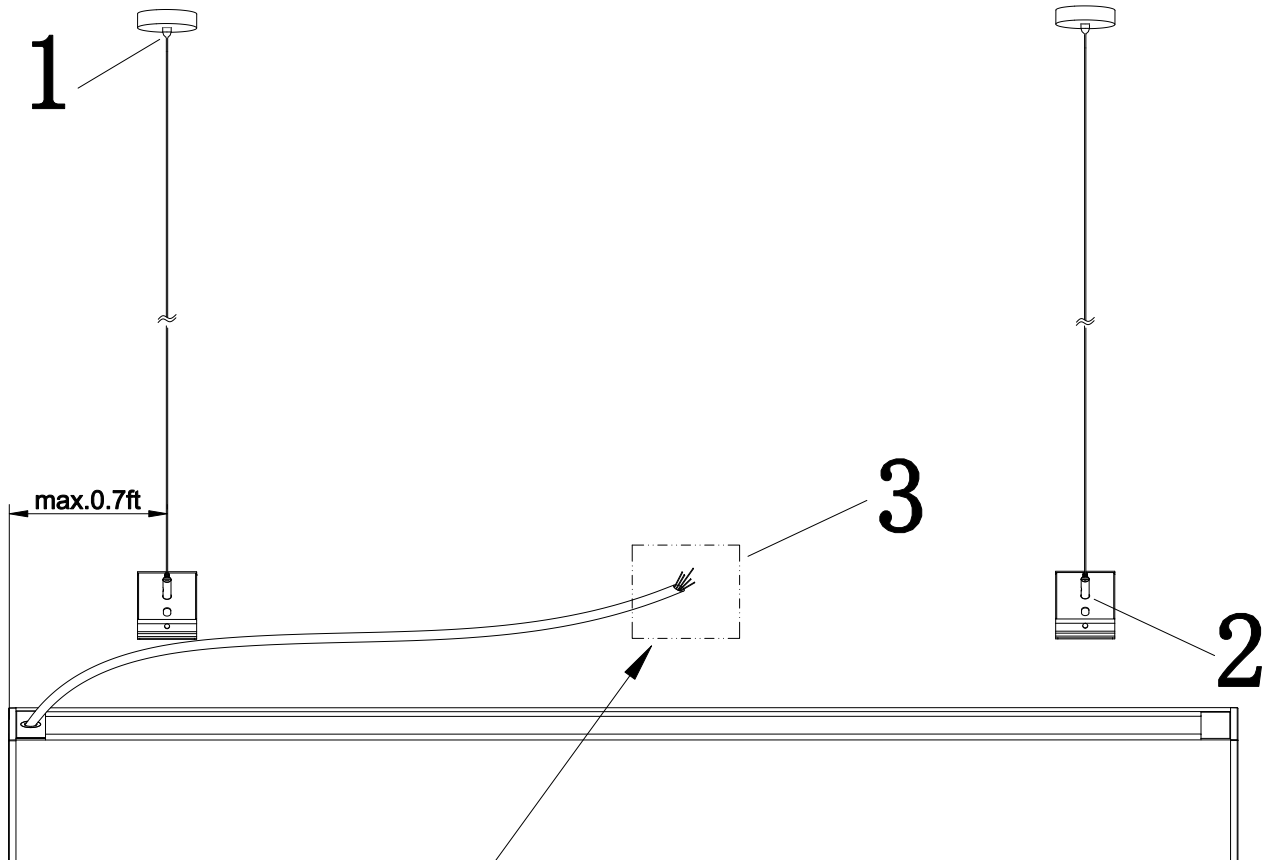
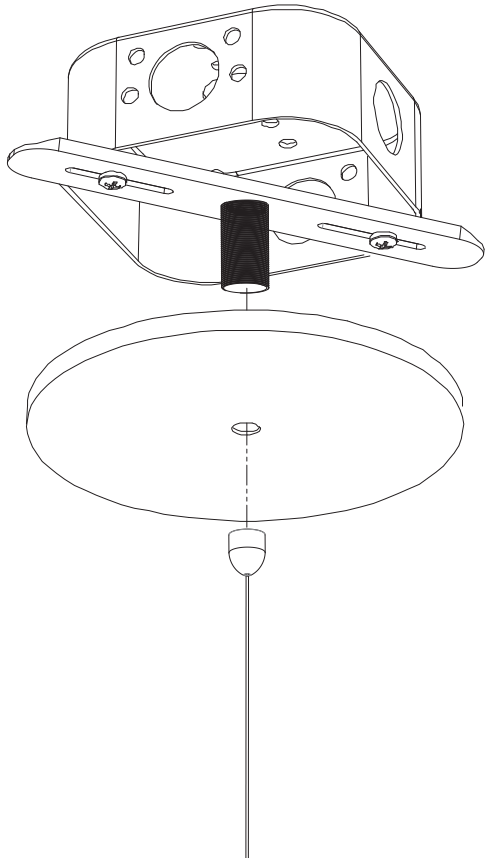


Single indirect/direct light (Pendant)

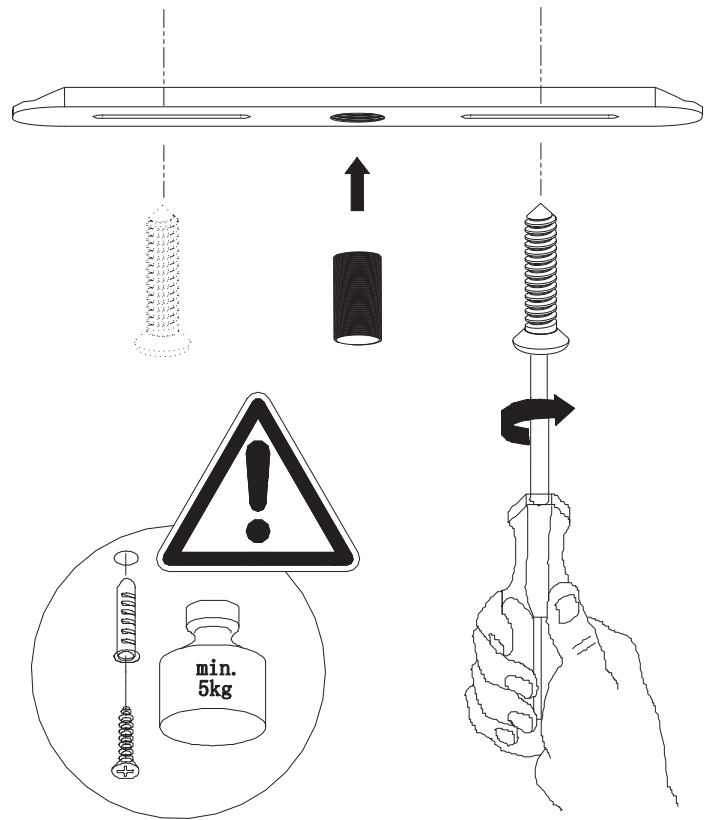


L	4ft
L	8ft

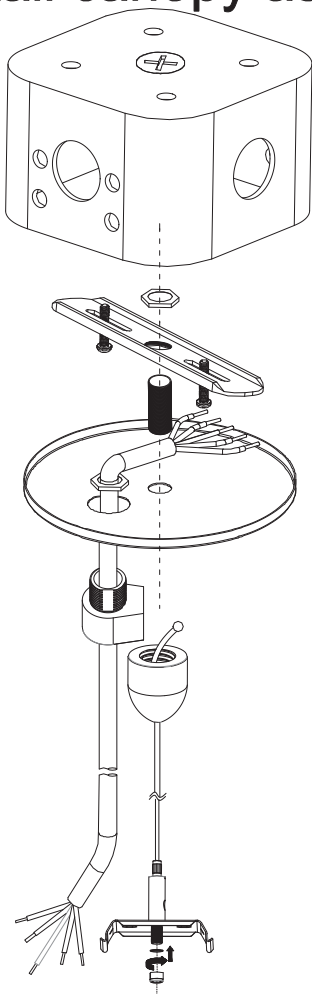
1a Install canopy as shown



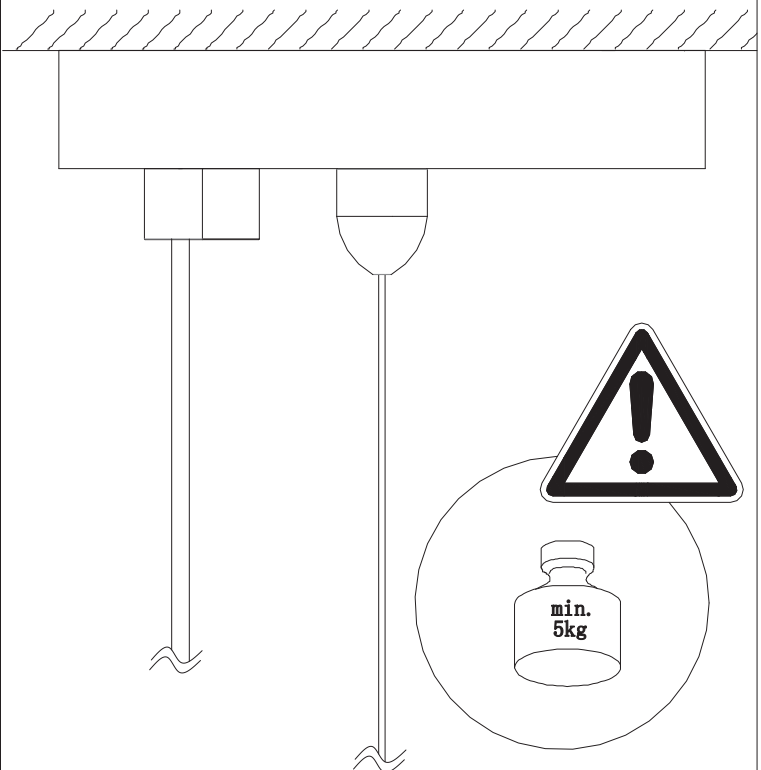
1b Fix T bar on the junction box



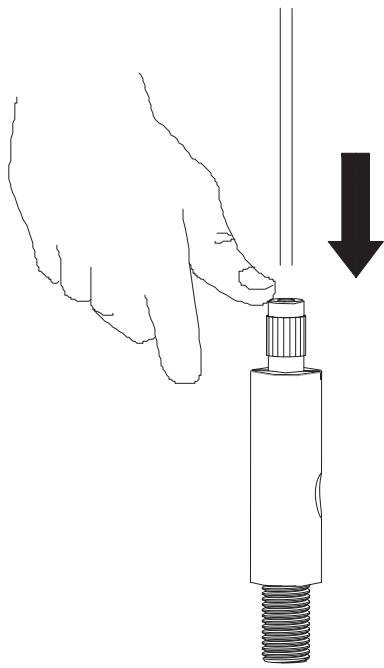
1c Install canopy as shown



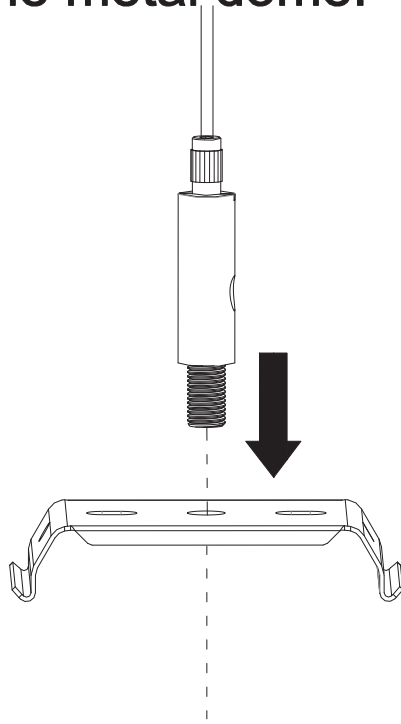
1d



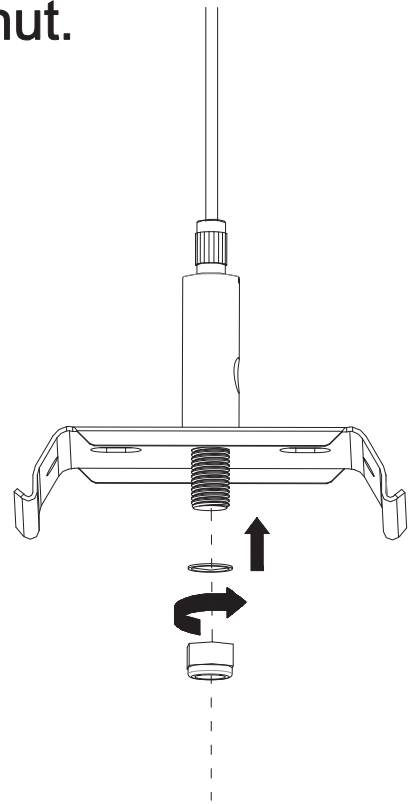
2a Insert the sling through the coupling apparatus.



2b Insert the coupling apparatus with sling through hole dia 0.4inch on the metal dome.

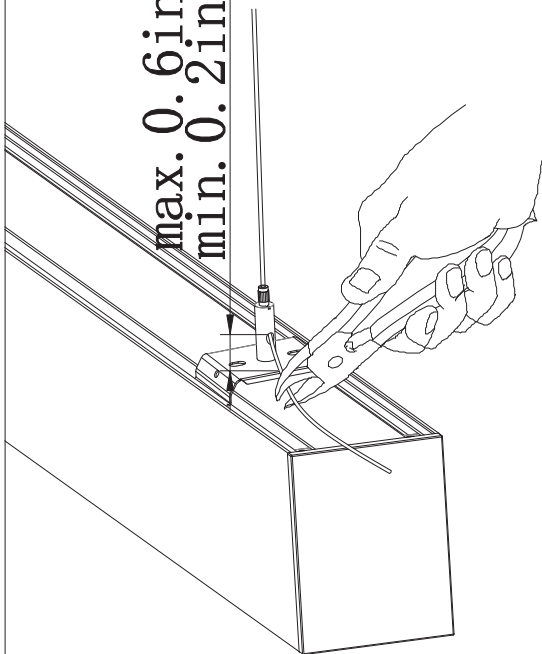


2c Lock coupling apparatus on the metal dome with nut.

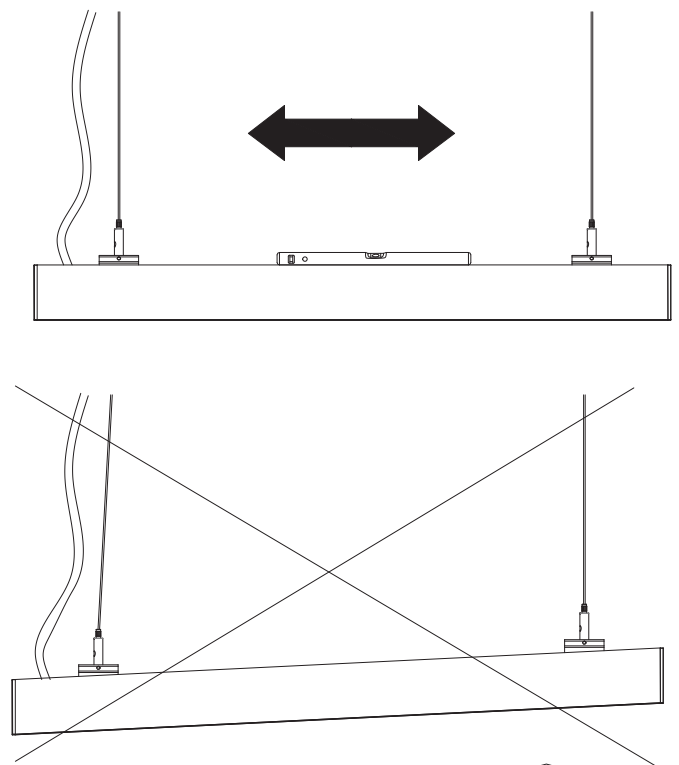


2d Reserve proper length of the sling

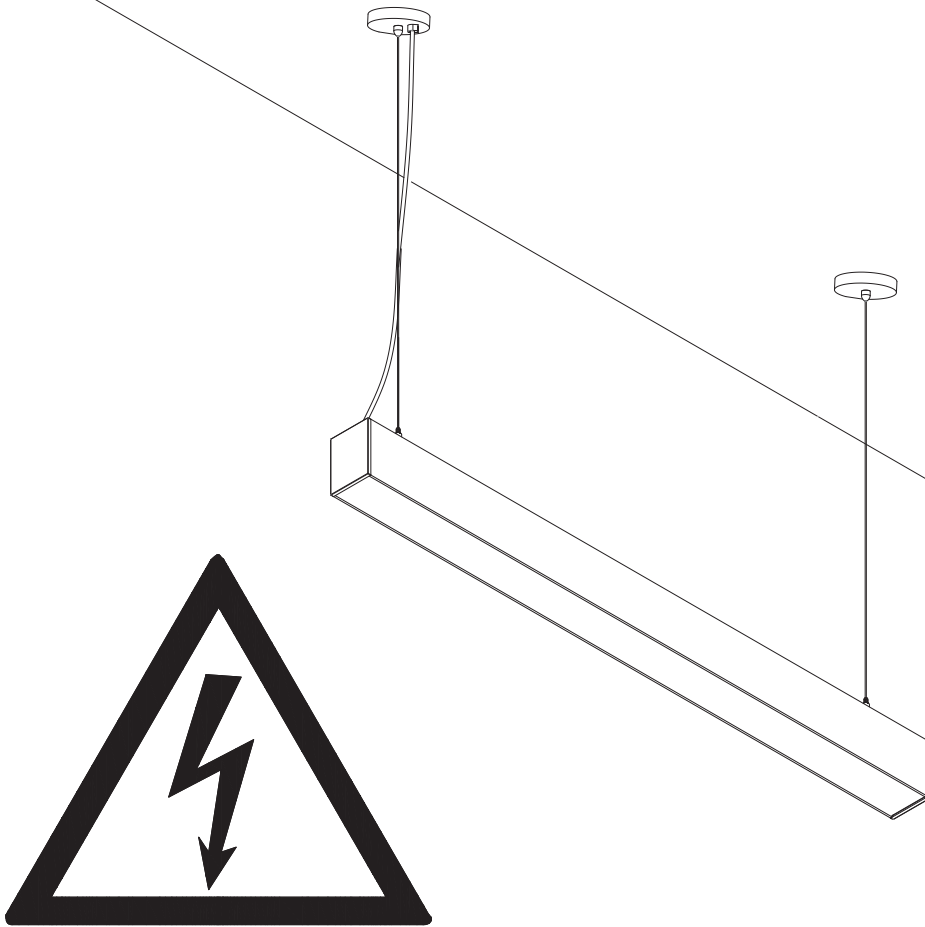
max. 0.6inch
min. 0.2inch



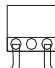
2e Balance the luminaire



3 Connect input cable with terminal block



ELECTRICAL CONNECTIONS:

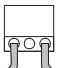
White - luminaire  White - power cord

Black - luminaire  Black - power cord

Green - luminaire  Green - power cord

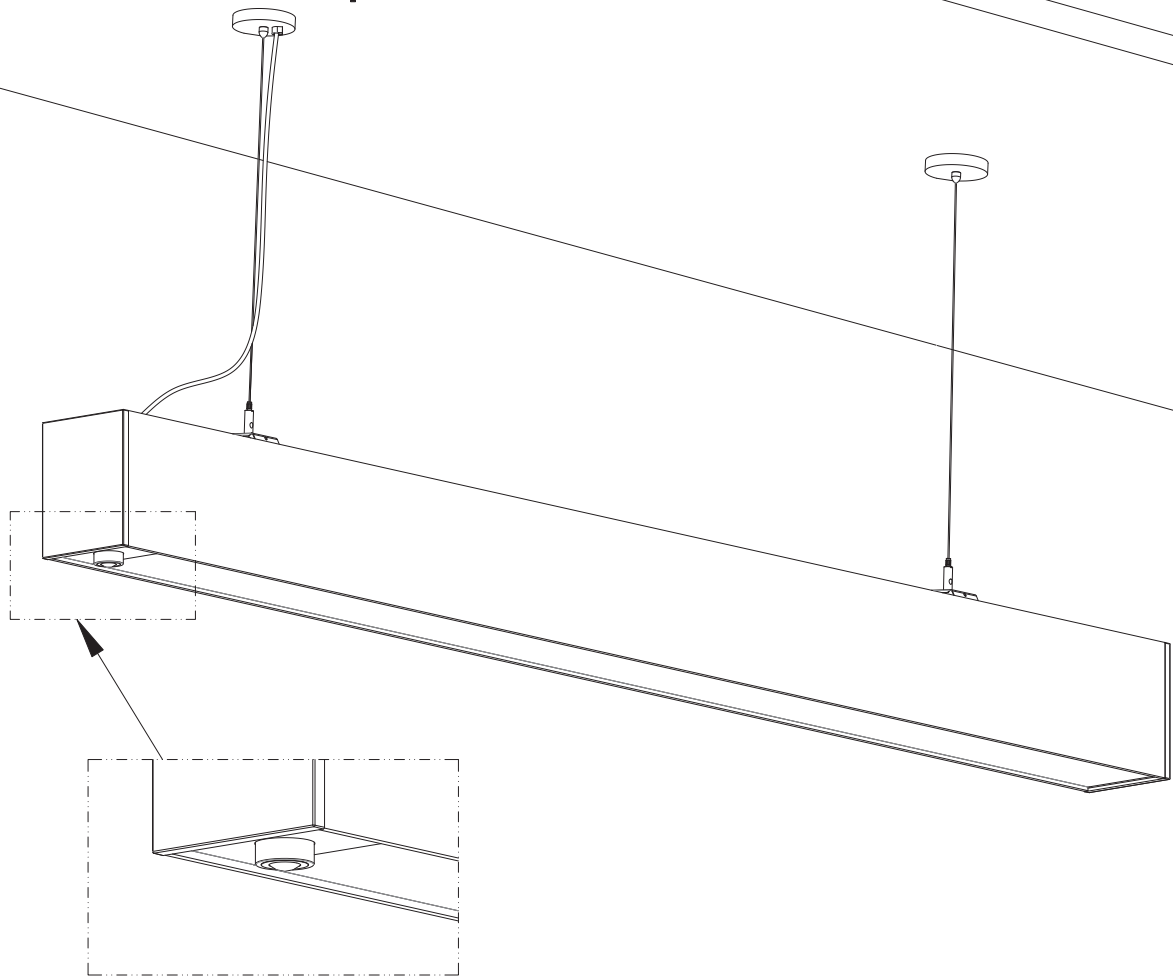
For 0-10V Dimming:

Purple - luminaire  Purple - power cord

Grey - luminaire  Grey - power cord


Note:Attention to the wire connection, mode and correspondence of wire definition

4 Motion sensor is optional



Instructions for installation and operation!

The installation and commissioning of the luminaire as well as any modification to the luminaire may only be performed by qualified electrician. Before any work on the appliance is done, it must be disconnected from mains. Hot plug-in may cause damage to the lamp or luminaire!

 The manufacturer is not liable for damages resulting from improper or faulty installation or operation or from unauthorised modifications to the luminaire.

Caution, risk of electric shock!

Specifications are subject to change without notice! If any questions, please contact us.